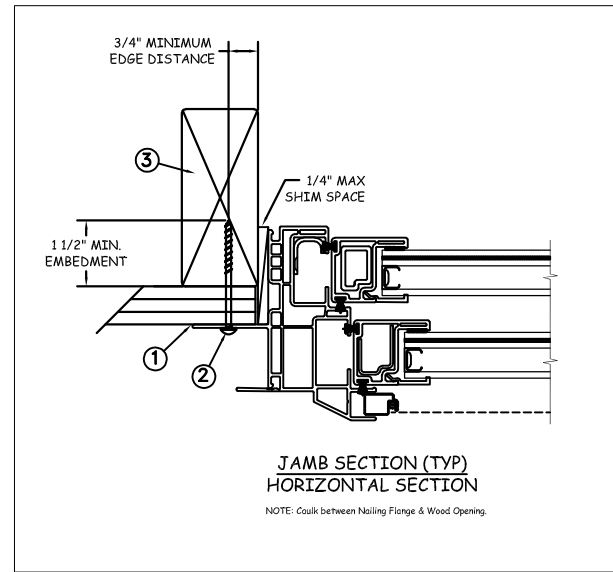
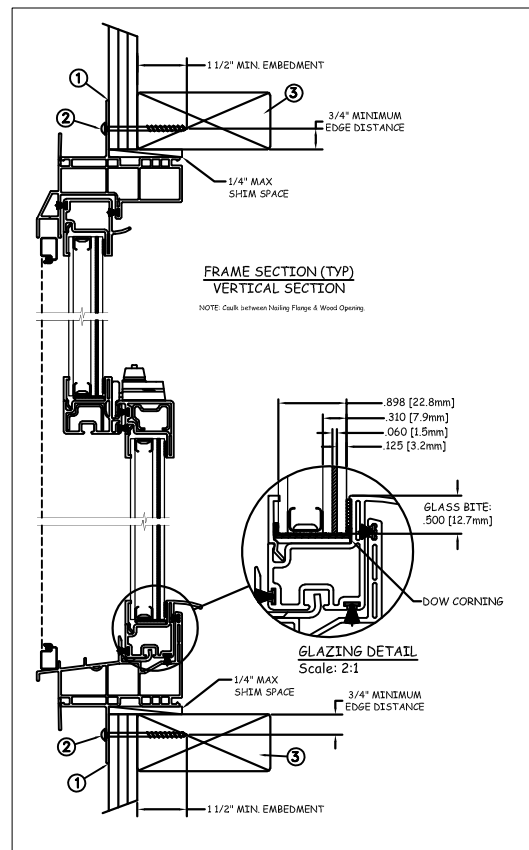
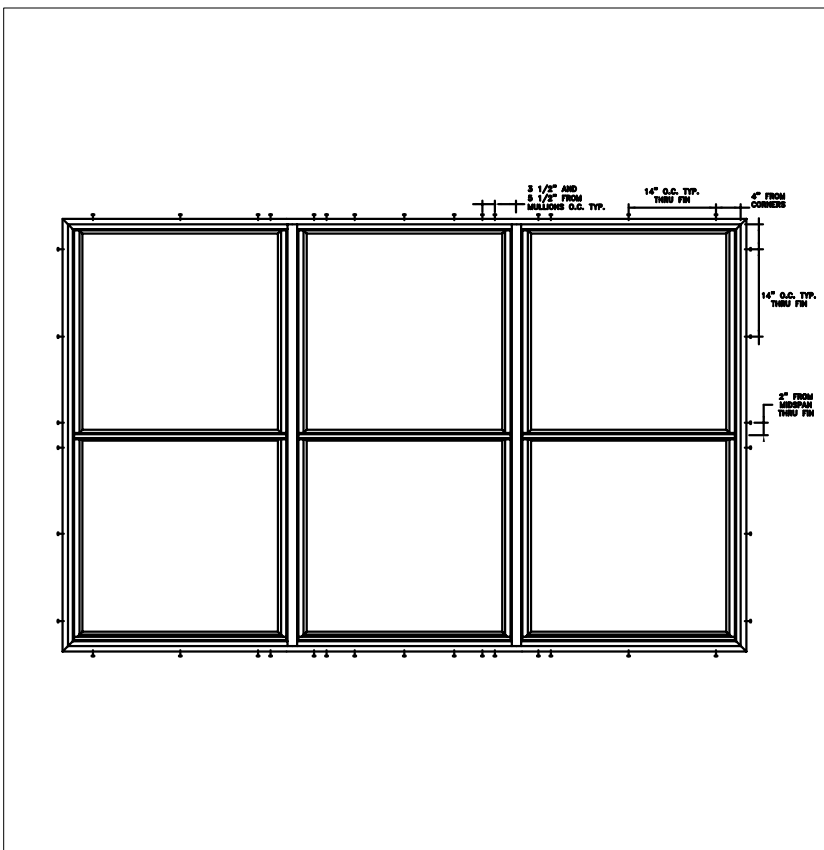


NAIL FIN INSTALLATION



Max Frame	DP RATING	IMPACT
108 x 72	+50/-50	YES
WINDZONE 3		

Installation Notes:

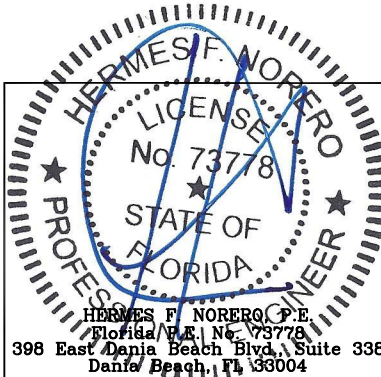
1. Seal flange/frame to substrate.
2. Use #8 PH or greater fastener through the nail fin with sufficient length to penetrate a minimum of 1 1/2" into the wood framing. For two (2X) wood frame substrate (min. S.G. = 0.42).
3. Host structure (wood buck, masonry, steel) to be designed and anchored to properly transfer all loads to the structure. The host structure is the responsibility of the architect or engineer of record for the project of installation.

General Notes:

1. The product shown herein is designed, tested and manufactured to comply with the wind load criteria of the adopted International Building Code(IBC), the International Residential Code(IRC), the Florida Building Code(FBC) and the industry requirement for the stated conditions.
2. All glazing shall conform to ASTM E1300.
3. At minimum, glazing shall be 3.2mm annealed - 11.8mm airspace - 3.2mm annealed - 1.5mm PVB Interlayer by Kurraray - 3.2mm annealed insulated glass.
4. Use structural or composite shims where required.

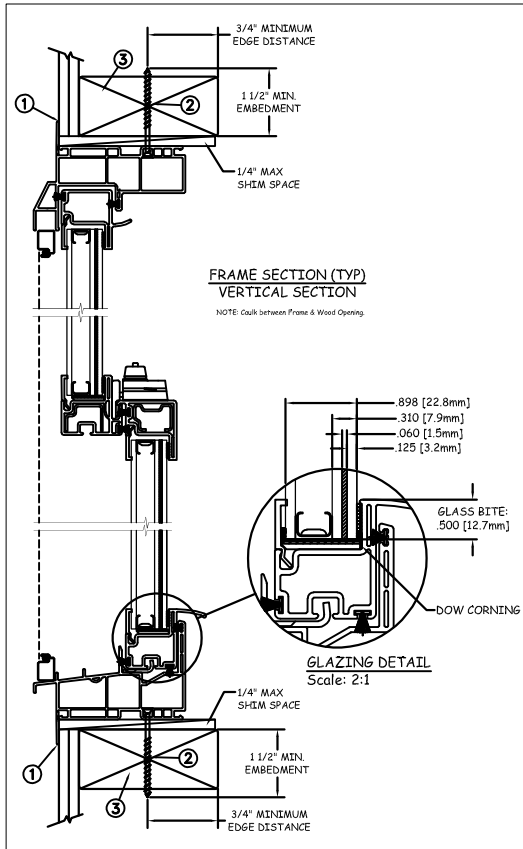
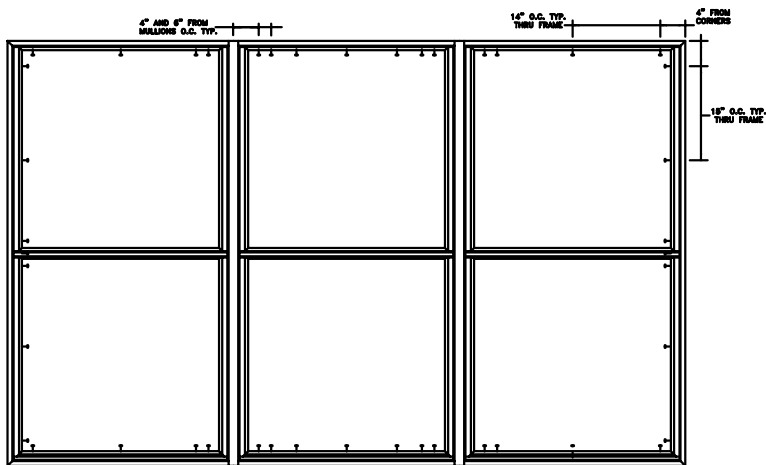
This schedule addresses only the fasteners required to anchor the window to achieve the rated design pressure up to the size limitations noted. It is not intended as a guide to the installation process and does not address the sealing consideration that may arise in different wall conditions. For the complete installation procedure, see the instructions packaged with the window or go to www.jeld-wen.com/resources/installation.

DISCLAIMER:
This drawing and its contents are confidential and are not to be reproduced or copied in whole or in part or used or disclosed to others except as authorized by JELD-WEN Inc.

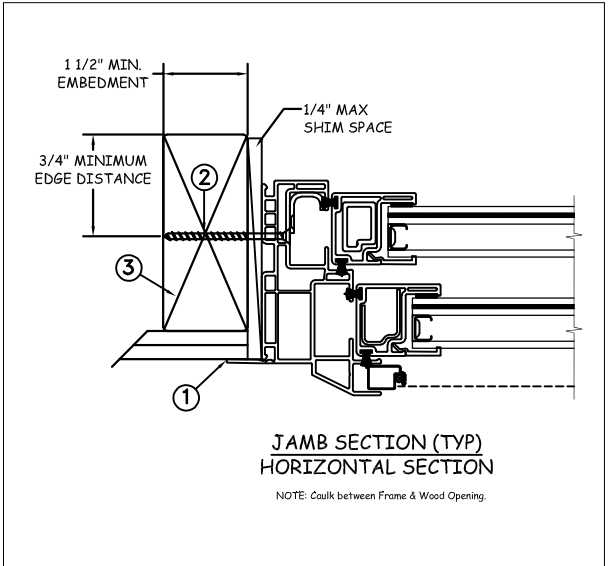


HERMES F. NORERO, P.E.
Florida P.E. No. 73778
398 East Danja Beach Blvd, Suite 338
Danja Beach, FL 33004

PROJECT ENGINEER: ---	DATE: 2/16/18	JELD-WEN 3250 Lakeport Blvd Klamath Falls, OR. 97601 Phone: (800) 535-3936
DRAWN BY: A. MCMILLAN	SCALE: NTS	
CHECKED BY: J.GOOSEN	Premium Vinyl Tilt Double Hung Impact Window XXX	
APPROVED BY: J.GOOSEN		
PART/PROJECT No.:	IDENTIFIER No. H8907.06-301-47-RO	
	PLANT NAME AND LOCATION:	CAD DWG. No.: PremVinylTDHXXX Cert
		REV: A
		SHEET 1 OF 4



**THROUGH FRAME
INSTALLATION**



Max Frame	DP RATING	IMPACT
108 x 72	+50/-50	YES

WINDZONE 3

Installation Notes:

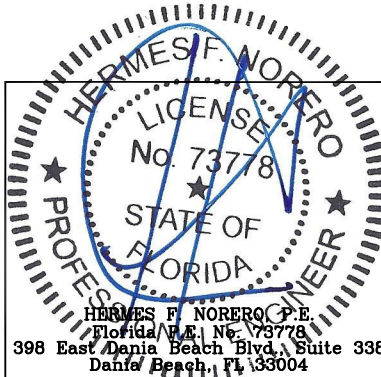
1. Seal flange/frame to substrate.
2. Use #8 PH or greater fastener through the frame with sufficient length to penetrate a minimum of 1 1/2" into the wood framing. For two (2X) wood frame substrate (min. S.G. = 0.42).
3. Host structure (wood buck, masonry, steel) to be designed and anchored to properly transfer all loads to the structure. The host structure is the responsibility of the architect or engineer of record for the project of installation.

General Notes:

1. The product shown herein is designed, tested and manufactured to comply with the wind load criteria of the adopted International Building Code(IBC), the International Residential Code(IRC), the Florida Building Code(FBC) and the industry requirement for the stated conditions.
2. All glazing shall conform to ASTM E1300.
3. At minimum, glazing shall be 3.2mm annealed - 11.8mm airspace - 3.2mm annealed - 1.5mm PVB Interlayer by Kurraray - 3.2mm annealed insulated glass.
4. Use structural or composite shims where required.

This schedule addresses only the fasteners required to anchor the window to achieve the rated design pressure up to the size limitations noted. It is not intended as a guide to the installation process and does not address the sealing consideration that may arise in different wall conditions. For the complete installation procedure, see the instructions packaged with the window or go to www.jeld-wen.com/resources/installation.

DISCLAIMER:
This drawing and its contents are confidential and are not to be reproduced or copied in whole or in part or used or disclosed to others except as authorized by JELD-WEN Inc.

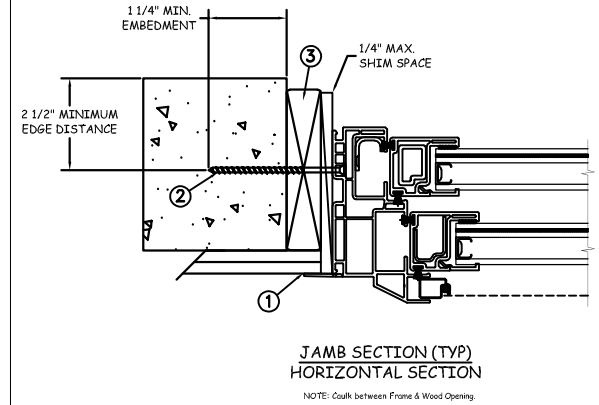
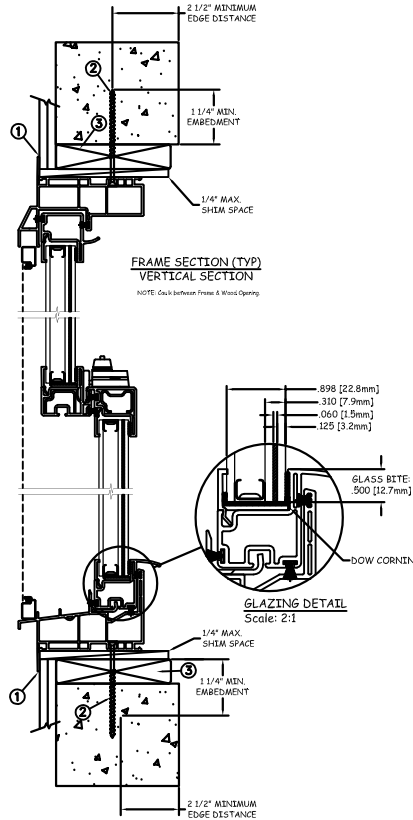
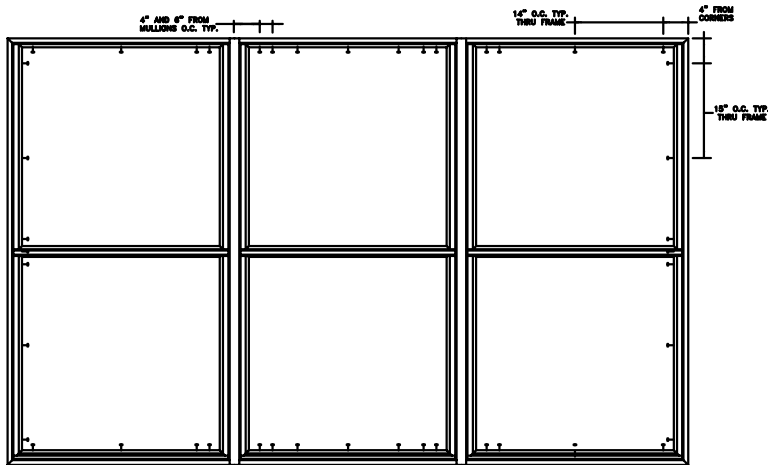


PROJECT ENGINEER: ---	DATE: 2/16/18
DRAWN BY: A. MCMILLAN	SCALE: NTS
CHECKED BY: J.GOOSEN	TITLE: Premium Vinyl Tilt Double Hung Impact Window XXX
APPROVED BY: J.GOOSEN	
PART/PROJECT No.:	
D014932	
IDENTIFIER No. H8907.06-301-47-RO	PLANT NAME AND LOCATION:

JELD-WEN 3250 Lakeport Blvd
Klamath Falls, OR. 97601
Phone: (800) 535-3936

CAD DWG. No.:	REV:	SHEET
PremVinylTDHXXX Cert	A	2 OF 4

MASONRY INSTALLATION



Max Frame	DP RATING	IMPACT
108 x 72	+50/-50	YES

WINDZONE 3

Installation Notes:

1. Seal flange/frame to substrate.
2. Use 3/16" Tapcon or equivalent fastener through frame with sufficient length to penetrate a minimum of 1 1/4" into concrete (min. f'c = 3000 psi) or masonry (min. = 2000psi) (per ASTM C-90).
3. Host structure (wood buck, masonry, steel) to be designed and anchored to properly transfer all loads to the structure. The host structure is the responsibility of the architect or engineer of record for the project of installation.

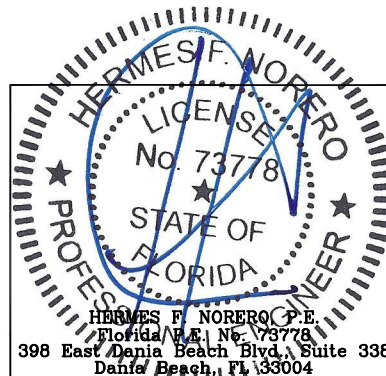
General Notes:

1. The product shown herein is designed, tested and manufactured to comply with the wind load criteria of the adopted International Building Code(IBC), the International Residential Code(IRC), the Florida Building Code(FBC) and the industry requirement for the stated conditions.
2. All glazing shall conform to ASTM E1300.
3. At minimum, glazing shall be 3.2mm annealed - 11.8mm airspace - 3.2mm annealed - 1.5mm PVB Interlayer by Kurraray - 3.2mm annealed insulated glass.
4. Use structural or composite shims where required.

This schedule addresses only the fasteners required to anchor the window to achieve the rated design pressure up to the size limitations noted. It is not intended as a guide to the installation process and does not address the sealing consideration that may arise in different wall conditions. For the complete installation procedure, see the instructions packaged with the window or go to www.jeld-wen.com/resources/installation.

DISCLAIMER:

This drawing and its contents are confidential and are not to be reproduced or copied in whole or in part or used or disclosed to others except as authorized by JELD-WEN Inc.

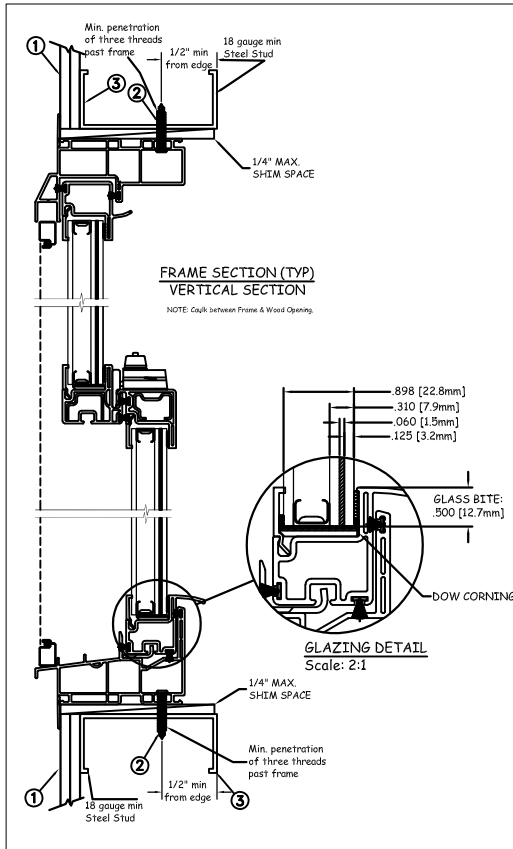
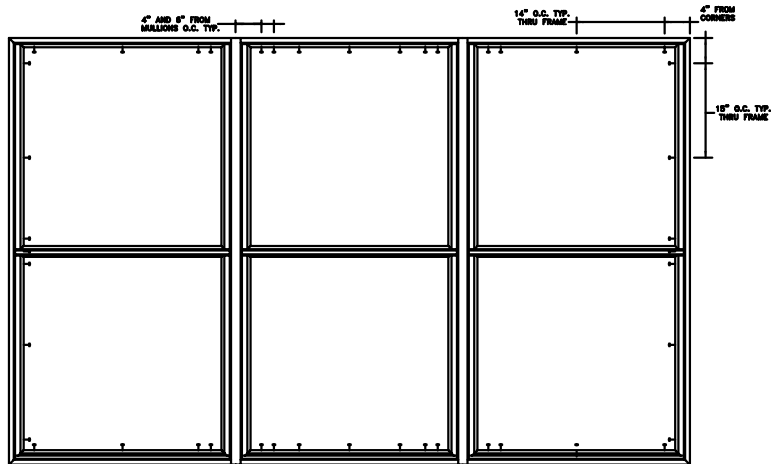


HERMES F. NORERO, P.E.
 Florida License No. 73778
 398 East Dania Beach Blvd., Suite 338
 Dania Beach, FL 33004

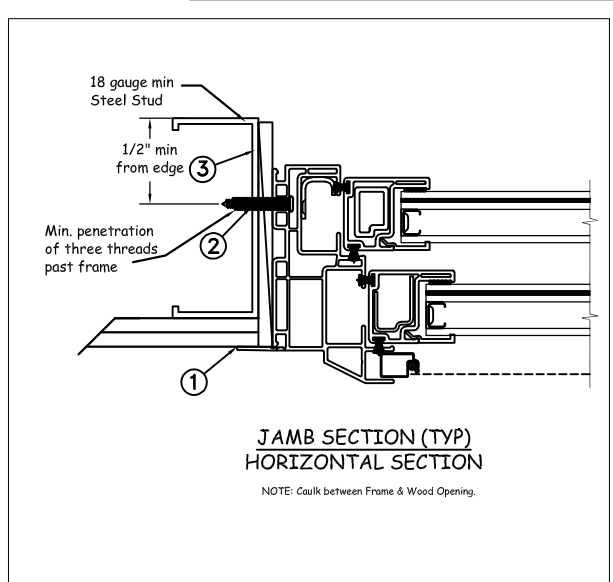
PROJECT ENGINEER: ---	DATE: 2/16/18
DRAWN BY: A. MCMILLAN	SCALE: NTS
CHECKED BY: J.GOOSEN	TITLE: Premium Vinyl Tilt Double Hung Impact Window XXX
APPROVED BY: J.GOOSEN	
PART/PROJECT No.: D014932	
IDENTIFIER No. H8907.06-301-47-RO	PLANT NAME AND LOCATION:

JELD-WEN 3250 Lakeport Blvd
 Klamath Falls, OR. 97601
 Phone: (800) 535-3936

CAD DWG. No.: PremVinylTDHXXX Cert	REV: A	SHEET 3 OF 4
---------------------------------------	-----------	-----------------



STEEL INSTALLATION



Max Frame	DP RATING	IMPACT
108 x 72	+50/-50	YES

WINDZONE 3

Installation Notes:

1. Seal flange/frame to substrate.
2. For anchoring into metal framing, use #8 TEK Self Tapping screws with sufficient length to achieve a minimum penetration of three threads past the frame thickness. Locate anchors as shown in elevations and installation details.
3. Host structure (wood buck, masonry, steel) to be designed and anchored to properly transfer all loads to the structure. The host structure is the responsibility of the architect or engineer of record for the project of installation.

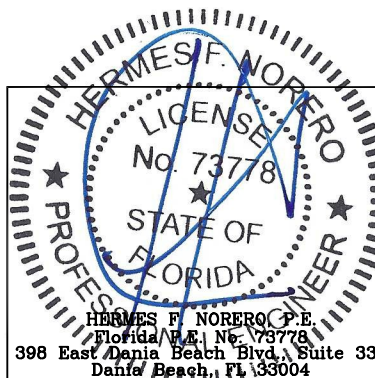
General Notes:

1. The product shown herein is designed, tested and manufactured to comply with the wind load criteria of the adopted International Building Code(IBC), the International Residential Code(IRC), the Florida Building Code(FBC) and the industry requirement for the stated conditions.
2. All glazing shall conform to ASTM E1300.
3. At minimum, glazing shall be 3.2mm annealed - 11.8mm airspace - 3.2mm annealed - 1.5mm PVB Interlayer by Kurraray - 3.2mm annealed insulated glass.
4. Use structural or composite shims where required.

This schedule addresses only the fasteners required to anchor the window to achieve the rated design pressure up to the size limitations noted. It is not intended as a guide to the installation process and does not address the sealing consideration that may arise in different wall conditions. For the complete installation procedure, see the instructions packaged with the window or go to www.jeld-wen.com/resources/installation.

DISCLAIMER:

This drawing and its contents are confidential and are not to be reproduced or copied in whole or in part or used or disclosed to others except as authorized by JELD-WEN Inc.



PROJECT ENGINEER: ---	DATE: 2/16/18
DRAWN BY: A. MCMILLAN	SCALE: NTS
CHECKED BY: J.GOOSEN	TITLE: Premium Vinyl Tilt Double Hung Impact Window XXX
APPROVED BY: J.GOOSEN	
PART/PROJECT No.:	
D014932	
IDENTIFIER No.:	PLANT NAME AND LOCATION:
H8907.06-301-47-RO	

JELD-WEN 3250 Lakeport Blvd
Klamath Falls, OR. 97601
Phone: (800) 535-3936

CAD DWG. No.:	REV:	SHEET
PremVinylTDHXXX Cert	A	4 OF 4